

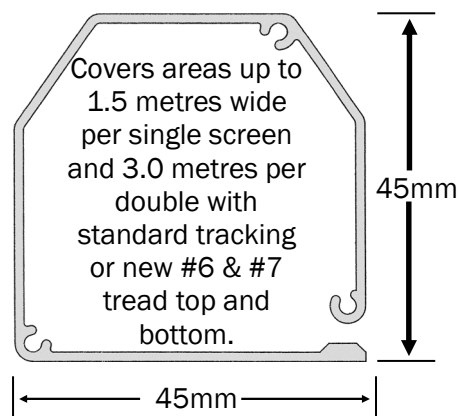
Phantom Screens

Mounting the Units

The units can be mounted on the inside or outside of the door or window, on either side of the frame or on both as in the case of double French doors, face fit (mounting the unit on the face of the frame) or reveal fit (mounting the unit inside the frame).

The Phantom Screen can be mounted to both existing doors or windows, or manufactured to mount on new doors or windows, which have not been ordered with screens. It easily mounts to timber, aluminium, or steel frames colour-matched to blend in with the door frame colours. We powder coat our product using the Dulux Powder Coating range with over 70 colours to select from. When the unit is not in use, the width of the housing and the handle when using the 45x45mm housing is 102mm. All screws are stainless steel, thus eliminating the problem of rust and corrosion.

45mm Housing



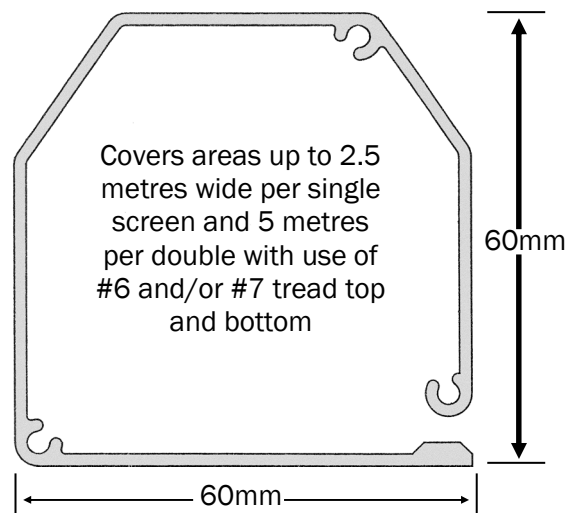
The 60 mm Housing

We are proud to present our new housing and anti-blow-out tracking system into the Phantom range. Due to the continuous trend of large bi-fold and stacker doors within our market we have developed an alternative to the standard Phantom screen that is capable of covering openings up to 5 metres (2.5 with a single) without the problem of the mesh sagging or blowing out in windy conditions.

Due to the mesh roll width of our black 18x14 Mesh we have limitations to housing a maximum height of 2420mm when the pull width exceeds 2420mm.

The new 60mm Housing is mounted and installed in the same way as the 45mm Housing. When the unit is not in use, the width of the housing and the handle is 117mm. All screws are stainless steel, thus, eliminating the problem of rust and corrosion.

60mm Housing



PHANTOM[®]
S C R E E N S