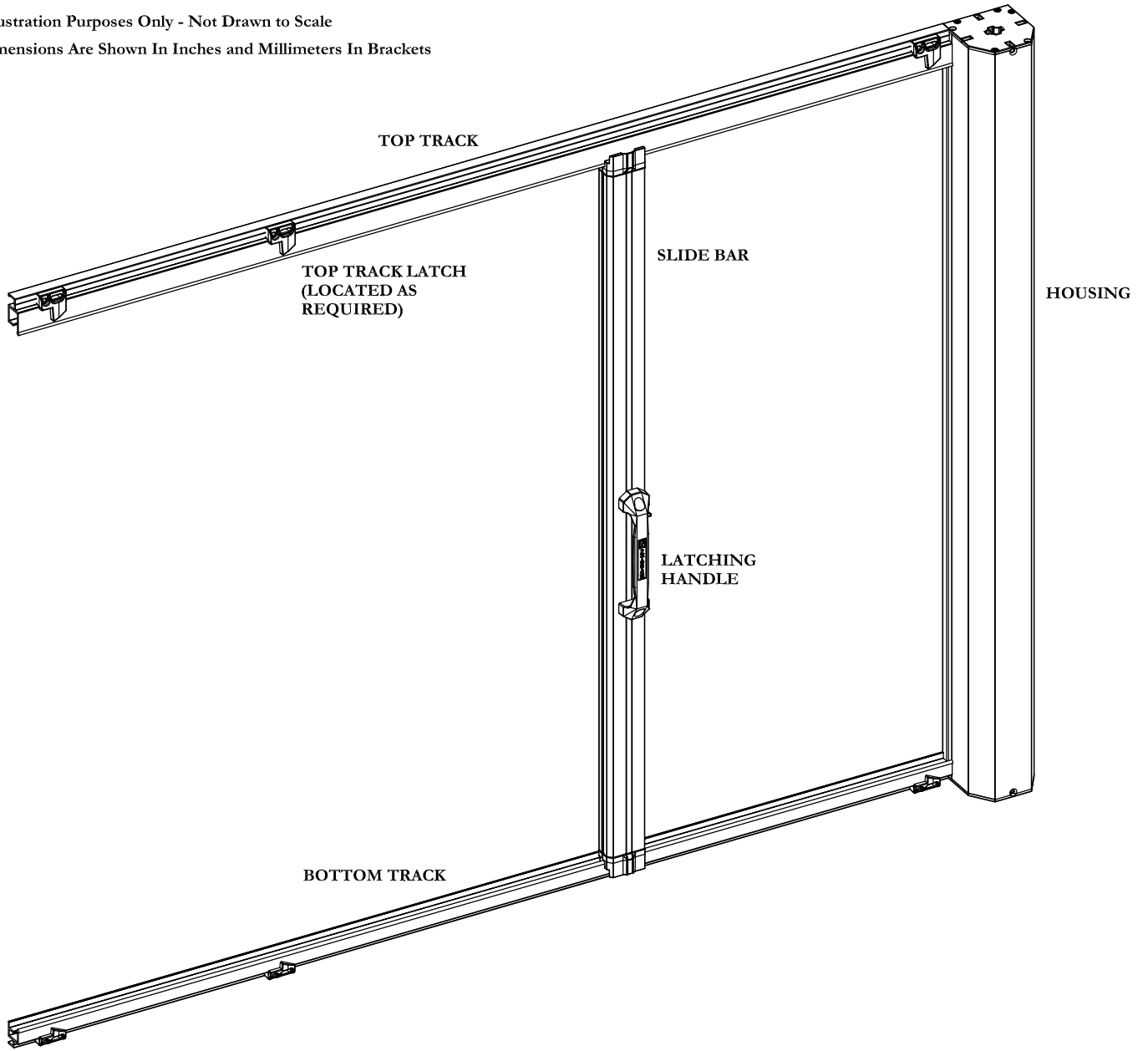


RETRACTABLE WALL SCREEN

(External Assembled View)

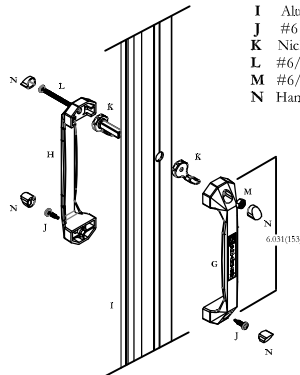
For Illustration Purposes Only - Not Drawn to Scale
 All Dimensions Are Shown In Inches and Millimeters In Brackets



BOTTOM TRACK LATCH (LOCATED AS REQUIRED)

Parts Spec

- G Outside Nylon Handle
- H Inside Nylon Handle
- I Aluminum Slide Bar
- J #6 x 1/2" (#6 x 13mm) Panhead TEK Screw
- K Nickel Plated Zinc Lever Components
- L #6/32 x 1-5/8" S.S. Bolt
- M #6/32 Locknut S.S.
- N Handle Screw Caps (2 Per Handle)



DETAIL OF THE LATCH AND RELEASE HANDLE IN RELATION TO THE SLIDE BAR

NOTE(S);

1. FOR INDIVIDUAL COMPONENT OVERALL SIZE SEE DRAWINGS - PSRETRACTABLEWALLSCREEN WHMAH15 -02

Creator: NDR	Date: 02/16/17	Revision: Rev:
Drawing Title: PSRETRACTABLEWALLSCREENWLMHAH15-01		
© 2017 Phantom Mfg. Intl Ltd.		Scale: NTS